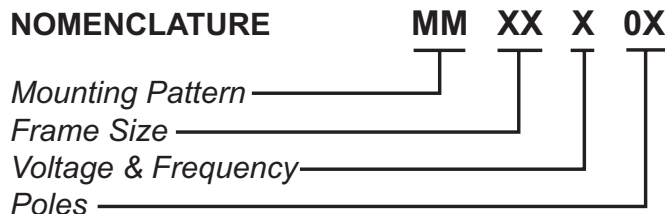


Martin® MM Series Electric Vibrators



BENEFITS

- Only USA Manufacturer of Continuous duty, High-output Industrial Vibrators Guaranteed for 3 Years
- C4 Clearance Cylindrical Roller Bearings
- Dust-tight and Water-tight Enclosure
- Fast Delivery of Any Electrical Rating
- Fully Interchangeable with Other Major Manufacturers
- Worldwide Tech Support and Service

FRAME SIZE VOLTAGE & FREQUENCY

- | | |
|-----------|---------------------------------|
| 00 | Three Phase |
| 10 | A: 220-240/380-415V 50Hz |
| 20 | C: 220-240/440-480V 60Hz |
| 30 | E: 525-550V 50Hz |
| 35 | F: 575-600V 60Hz |

- | | |
|-----------|---------------------|
| 40 | Single Phase |
| 50 | U: 115V 60Hz |
| 60 | W: 230V 60Hz |
| 70 | |
| 75 | |

- | | |
|------------|-----------------------------|
| 90 | POLES |
| 95 | 02: 3000 RPM at 50Hz |
| 97 | 3600 RPM at 60Hz |
| 100 | 04: 1500 RPM at 50Hz |
| 105 | 1800 RPM at 60Hz |
| | 06: 1000 RPM at 50Hz |
| | 1200 RPM at 60Hz |
| | 08: 750 RPM at 50Hz |
| | 900 RPM at 60Hz |

ACCESSORIES

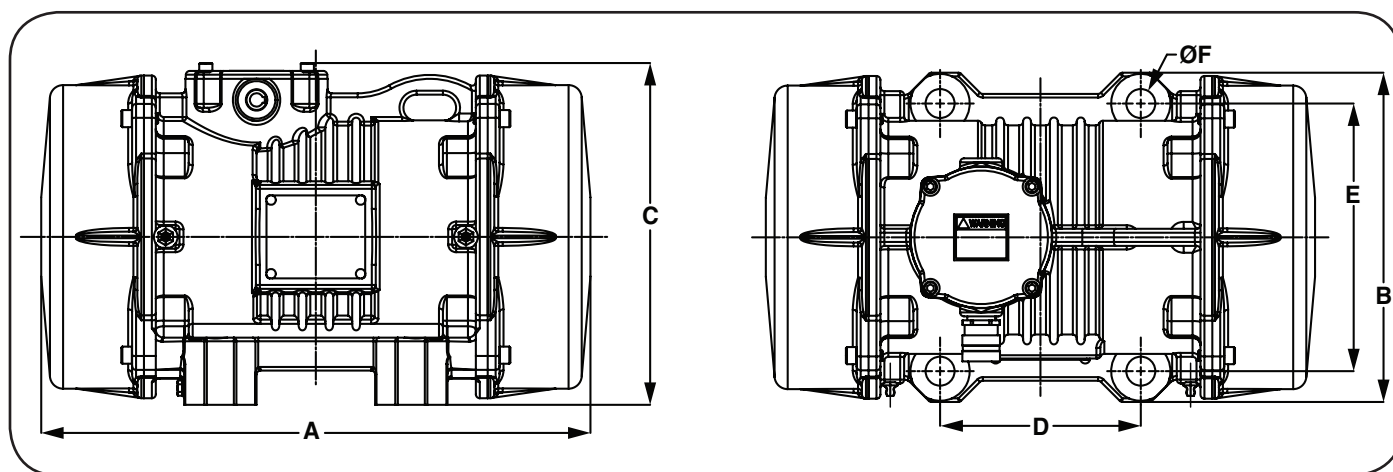
Part Number	Description
32271-PR	Vibration Safety Cable Kit
38902-20	On/Off Cycle Timer

Model	C-Channel Mount Kit*	Mount Plate	Hardware for Mount Plate	Wedge Brackets	
				Male	Female
MM 00	32401-01	220493	CG-100421**	28309-01	12735
MM 10	32401-10	—	—	28309-02	
MM 20	32401-20	220555	CG-100447**	28309-01	
MM 30/35	32401-30	220583-MM	CG-100429	28309-02	
MM 40/50	32401-50	220598-MM	CG-100429	—	

*Includes C-Channel Mount, Hardware, and Vibration Safety Cable Kit

**Included with Vibrator

TECHNICAL DATA SHEET



SINGLE PHASE

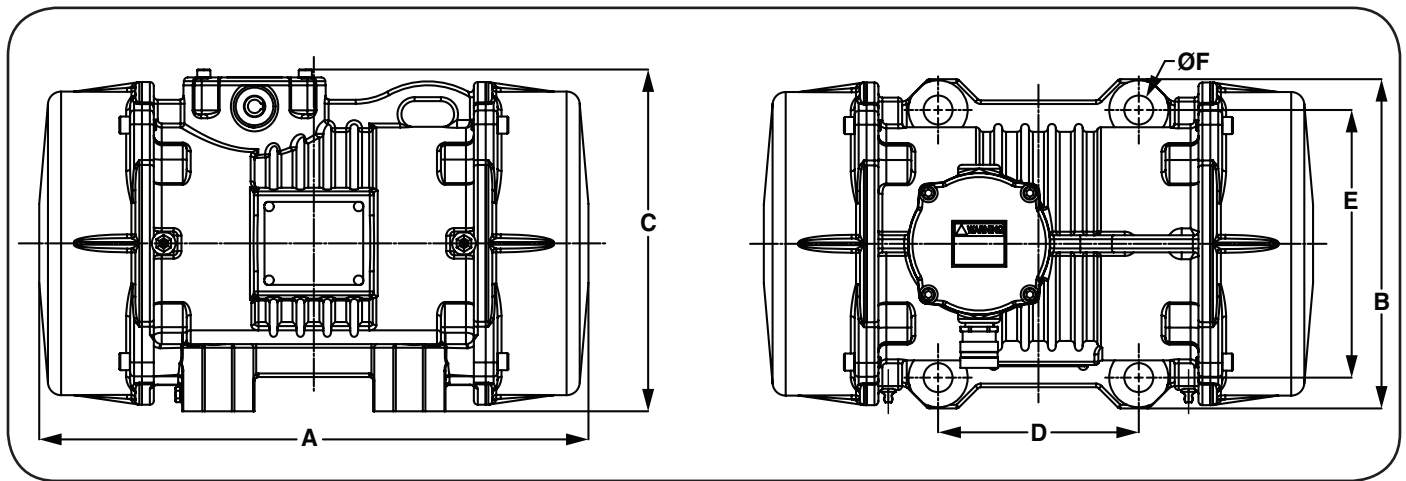
DIMENSIONS (inch)

PART NUMBER	MODEL	RPM at 60Hz	A		B		C		Bolt Pattern				Foot Holes		Weight		
			in.	(mm)	in.	(mm)	in.	(mm)	D		E		F		No.	lbs	(kg)
									in.	(mm)	in.	(mm)	in.	(mm)			
MM00X02	MM36-380	3600	8.64	(219.5)	4.92	(125)	5.30	(134.5)	2.36-2.95	(60-75)	4.17	(106)	0.35	(9)	4	9	(4)
MM10X02	MM36-660		11.77	(299.0)	5.91	(150)	7.14	(181.3)	3.54	(90)	4.92	(125)	0.55	(14)	4	32	(15)
MM20X02	MM36-1000		11.85	(301.0)	7.70	(195.5)	8.36	(212.4)	4.13-5.00	(105-127)	5.51-6	(140-152)	0.56	(14.3)	4	45	(21)
MM30X02	MM36-1680		15.70	(398.9)	8.43	(214)	9.41	(239.0)	4.72	(120)	6.69	(170)	0.67	(17)	4	65	(29)
MM35X02	MM36-2510		15.70	(398.9)	8.43	(214)	9.41	(239.0)	4.72	(120)	6.69	(170)	0.67	(17)	4	66	(30)
MM10X04	MM18-480	1800	11.77	(299.0)	5.91	(150)	7.14	(181.3)	3.54	(90)	4.92	(125)	0.55	(14)	4	35	(16)
MM20X04	MM18-1000		11.85	(301.0)	7.70	(195.5)	8.36	(212.4)	4.13-5.00	(105-127)	5.51-6	(140-152)	0.56	(14.3)	4	51	(23)
MM30X04	MM18-1690		15.70	(398.9)	8.43	(214)	9.41	(239.0)	4.72	(120)	6.69	(170)	0.67	(17)	4	78	(35)
MM35X04	MM18-2150		15.70	(398.9)	8.43	(214)	9.41	(239.0)	4.72	(120)	6.69	(170)	0.67	(17)	4	80	(37)
MM30X06	MM12-760	1200	15.70	(398.9)	8.43	(214)	9.41	(239.0)	4.72	(120)	6.69	(170)	0.67	(17)	4	78	(35)

PERFORMANCE DATA

PART NUMBER	MODEL	RPM at 60Hz	Unbalance in-lbs		Centrifugal Force				Power Output				Amps		MOUNT PLATE	C-CHANNEL MOUNT KIT
			50Hz	60Hz	115V 60Hz		230V 60Hz		115V 60Hz		230V 60Hz		115 Volt	230 Volt		
					lbs	(kg)	lbs	(kg)	hp	(kW in)	hp	(kW in)	60Hz	60Hz		
MM00X02	MM36-380	3600	1.0	1.0	380	(172)	-	-	0.15	(0.11)	-	-	1.30	-	220493	32401-01
MM10X02	MM36-660		2.6	1.8	660	(299)	660	(299)	0.27	(0.20)	0.27	(0.20)	2.54	1.27	-	32401-10
MM20X02	MM36-1000		3.0	3.0	1000	(454)	1000	(454)	0.33	(0.30)	0.33	(0.30)	5.10	2.55	220555	32401-20
MM30X02	MM36-1680		6.8	4.5	1680	(762)	1680	(762)	0.75	(1.38)	0.75	(1.38)	12.00	6.00	220583-MM	32401-30
MM35X02	MM36-2510		9.8	7.0	2510	(1139)	2510	(1139)	0.75	(1.38)	0.75	(1.38)	12.00	6.00	220583-MM	32401-30
MM10X04	MM18-480	1800	7.5	5.2	480	(218)	480	(218)	0.15	(0.11)	0.15	(0.11)	3.06	1.53	-	32401-10
MM20X04	MM18-1000		12.0	12.0	1000	(454)	1000	(454)	0.33	(0.30)	0.33	(0.30)	7.50	3.75	220555	32401-20
MM30X04	MM18-1690		25.0	18.0	1690	(767)	1690	(767)	0.75	(1.38)	0.75	(1.38)	12.00	6.00	220583-MM	32401-30
MM35X04	MM18-2510		33.6	23.4	2150	(975)	2150	(975)	0.75	(1.38)	0.75	(1.38)	12.00	6.00	220583-MM	32401-30
MM30X06	MM12-760	1200	26.7	15.6	760	(345)	760	(345)	0.25	(0.86)	0.25	(0.86)	7.50	3.80	220583-MM	32401-30

TECHNICAL DATA SHEET



3 PHASE 2 POLES 3000/3600 RPM

DIMENSIONS (inch)

PART NUMBER	MODEL	A		B		C		Bolt Pattern		Foot Holes		Weight						
		in.	(mm)	in.	(mm)	in.	(mm)	D		E		No.	380V 50Hz		460V 60Hz			
								in.	(mm)	in.	(mm)		in.	(mm)	lbs	(kg)	lbs	(kg)
MM00X02	MM36-380	8.64	(219.5)	4.92	(125)	5.30	(134.5)	2.36-2.95	(60-75)	4.17	(106)	0.35	(9)	4	9	(4)	9	(4)
MM10C02	MM36-660	11.77	(299)	5.91	(150)	7.14	(181.3)	3.54	(90)	4.92	(125)	0.55	(14)	4	33	(15)	32	(15)
MM20X02	MM36-1000	11.85	(301)	7.70	(195.5)	8.36	(212.4)	4.13-5	(105-127)	5.51-6	(140-152.4)	0.56	(14.3)	4	43	(20)	43	(20)
MM30X02	MM36-1680	15.7	(398.9)	8.43	(214)	9.41	(239.0)	4.72	(120)	6.69	(170)	0.67	(17)	4	64	(29)	63	(29)
MM35X02	MM36-2510	15.7	(398.9)	8.43	(214)	9.41	(239.0)	4.72	(120)	6.69	(170)	0.67	(17)	4	66	(30)	64	(29)
MM36X02	MM36-2900	15.7	(398.9)	8.43	(214)	9.41	(239.0)	4.72	(120)	6.69	(170)	0.67	(17)	4	—	—	64	(29)
MM37X02	MM36-3500	15.7	(398.9)	8.43	(214)	9.41	(239.0)	4.72	(120)	6.69	(170)	0.67	(17)	4	68	(31)	67	(31)
MM50X02	MM36-3280	16.42	(417)	9.84	(250)	10.22	(259.5)	5.51	(140)	7.48	(190)	0.67	(17)	4	71	(32)	69	(32)
MM51X02	MM36-4100	16.42	(417)	9.84	(250)	10.22	(259.5)	5.51	(140)	7.48	(190)	0.67	(17)	4	73	(33)	70	(32)
MM52X02	MM36-4910	16.42	(417)	9.84	(250)	10.22	(259.5)	5.51	(140)	7.48	(190)	0.67	(17)	4	75	(34)	72	(33)
MM70X02	MM36-6860	24.72	(628)	12.4	(315)	13.5	(343.0)	6.10	(155)	10.04	(255)	0.93	(23.5)	4	274	(124)	268	(122)
MM71X02	MM36-8240	24.72	(628)	12.4	(315)	13.5	(343.0)	6.10	(155)	10.04	(255)	0.93	(23.5)	4	277	(126)	271	(123)
MM72X02	MM36-11000	24.72	(628)	12.4	(315)	13.5	(343.0)	6.10	(155)	10.04	(255)	0.93	(23.5)	4	281	(128)	274	(125)

PERFORMANCE DATA

PART NUMBER	Model	Unbalance in-lbs		Centrifugal Force				Power Output		Amps		MOUNT PLATE	C-CHANNEL MOUNT KIT
		50Hz	60Hz	380V 50Hz		460V 60Hz		hp	(kW in)	380V 50Hz	460V 60Hz		
				lbs	(kg)	lbs	(kg)						
MM00X02	MM36-380	1.0	1.0	260	(118)	380	(172)	0.15	(0.12)	0.15	0.20	220493	32401-01
MM10X02	MM36-660	2.6	1.8	660	(299)	660	(299)	0.24	(0.20)	0.76	0.78	—	32401-10
MM20X02	MM36-1000	3.0	3.0	700	(318)	1000	(454)	0.33	(0.30)	0.84	0.70	220555	32401-20
MM30X02	MM36-1680	6.8	4.5	1680	(762)	1680	(762)	1	(0.80)	1.70	1.40	220583-MM	32401-30
MM35X02	MM36-2510	9.8	7.0	2510	(1139)	2510	(1139)	1	(0.80)	1.70	1.40	220583-MM	32401-30
MM36X02	MM36-2900	11.3	8.0	2900	(1315)	2900	(1315)	1	(0.80)	1.70	1.40	220583-MM	32401-30
MM37X02	MM36-3500	14.0	10.1	3500	(1588)	3500	(1588)	1	(0.80)	1.70	1.40	220583-MM	32401-30
MM50X02	MM36-3280	13.0	9.0	3280	(1488)	3280	(1488)	3	(2.50)	5.10	4.20	220598-MM	32401-50
MM51X02	MM36-4100	18.0	11.0	4100	(1860)	4100	(1860)	3	(2.50)	5.10	4.20	220598-MM	32401-50
MM52X02	MM36-4910	20.0	13.0	4910	(2227)	4910	(2227)	3	(2.50)	5.10	4.20	220598-MM	32401-50
MM70X02	MM36-6860	30.3	19.8	6860	(3112)	6860	(3112)	2.5	(2.00)	3.60	3.10	—	—
MM71X02	MM36-8240	35.9	23.0	8240	(3738)	8240	(3738)	2.5	(2.00)	3.60	3.10	—	—
MM72X02	MM36-11000	45.8	30.3	11000	(4990)	11000	(4990)	2.5	(2.00)	3.60	3.10	—	—

3 PHASE 4 POLES 1500/1800 RPM

DIMENSIONS (inch)

PART NUMBER	MODEL	Fig.*	A	B	C	Bolt Pattern		Foot Holes		Weight			
						D		E		F	No.	380V 50Hz	460V 60Hz
						in.	(mm)	in.	(mm)	in.		(mm)	lbs
MM10X04	MM18-480	A	11.77 (299)	5.91 (150)	7.14 (181.3)	3.54 (90)	4.92 (125)	0.55 (14)	4	37 (17)	35 (16)		
MM20X04	MM18-1000	A	11.85 (301)	7.70 (195.5)	8.36 (212.4)	4.13-5 (105-127)	5.51-6 (140-152.4)	0.56 (14.3)	4	49 (22)	49 (22)		
MM30X04	MM18-1690	A	15.70 (398.9)	8.43 (214)	9.41 (239)	4.72 (120)	6.69 (170)	0.67 (17)	4	76 (35)	73 (33)		
MM35X04	MM18-2150	A	15.70 (398.9)	8.43 (214)	9.41 (239)	4.72 (120)	6.69 (170)	0.67 (17)	4	79 (36)	76 (34)		
MM40X04-LF	MM18-2250	A	16.42 (417)	9.84 (250)	10.22 (259.5)	5.51 (140)	7.48 (190)	0.67 (17)	4	119 (54)	112 (51)		
MM40X04	MM18-3190	A	19.65 (499)	9.84 (250)	10.22 (259.5)	5.51 (140)	7.48 (190)	0.67 (17)	4	131 (59)	125 (57)		
MM50X04	MM18-3870	A	19.65 (499)	9.84 (250)	10.22 (259.5)	5.51 (140)	7.48 (190)	0.67 (17)	4	136 (62)	128 (58)		
MM51X04	MM18-4500	A	19.65 (499)	9.84 (250)	10.22 (259.5)	5.51 (140)	7.48 (190)	0.67 (17)	4	140 (63)	131 (60)		
MM52X04	MM18-5500	A	19.65 (499)	9.84 (250)	10.22 (259.5)	5.51 (140)	7.48 (190)	0.67 (17)	4	-	104 (47)		
MM90X04	MM18-14500	A	27.28 (693)	15.35 (390)	15.24 (387)	7.87 (200)	12.6 (320)	1.10 (28)	4	520 (236)	495 (225)		
MM95X04	MM18-17600	A	27.28 (693)	15.35 (390)	15.24 (387)	7.87 (200)	12.6 (320)	1.10 (28)	4	570 (259)	540 (245)		
MM97X04	MM18-19700	B	33.82 (859)	18.11 (460)	18.70 (475)	4.92 (125)	14.96 (380)	1.54 (39)	6	957 (434)	937 (425)		
MM100X04	MM18-25300	B	33.82 (859)	20.94 (532)	18.70 (475)	5.51 (140)	17.32 (440)	1.77 (45)	6	967 (439)	940 (426)		

*Dimensional schematic on last page.

PERFORMANCE DATA

PART NUMBER	MODEL	Unbalance in-lbs		Centrifugal Force				Power Output				Amps		MOUNT PLATE	C-CHANNEL MOUNT KIT
		50Hz	60Hz	380V 50Hz		460V 60Hz		380V 50Hz		460V 60Hz		380V 50Hz	460V 60Hz		
				lbs	(kg)	lbs	(kg)	hp	(kW in)	hp	(kW in)				
MM10X04	MM18-480	7.5	5.2	480	(218)	480	(218)	0.13	(0.11)	0.13	(0.11)	0.41	0.40	-	32401-10
MM20X04	MM18-1000	12.0	12.0	695	(315)	1000	(454)	0.33	(0.29)	0.33	(0.29)	0.96	1.15	220555	32401-20
MM30X04	MM18-1690	25.0	18.0	1690	(767)	1690	(767)	0.75	(0.65)	0.75	(0.65)	1.50	1.20	220583-MM	32401-30
MM35X04	MM18-2150	33.6	23.4	2150	(975)	2150	(975)	0.75	(0.65)	0.75	(0.65)	1.50	1.20	220583-MM	32401-30
MM40X04-LF	MM18-2250	35.2	24.4	2250	(1021)	2250	(1021)	1.50	(1.30)	1.50	(1.30)	2.60	2.10	220598-MM	32401-50
MM40X04	MM18-3190	49.0	35.0	3190	(1447)	3190	(1447)	1.50	(1.30)	1.50	(1.30)	2.60	2.10	220598-MM	32401-50
MM50X04	MM18-3870	62.0	42.0	3870	(1755)	3870	(1755)	1.50	(1.30)	1.50	(1.30)	2.60	2.10	220598-MM	32401-50
MM51X04	MM18-4500	71.0	49.0	4500	(2041)	4500	(2041)	1.50	(1.30)	1.50	(1.30)	2.60	2.10	220598-MM	32401-50
MM52X04	MM18-5500	-	59.7	-	-	5500	(2495)	-	-	1.50	(1.30)	-	2.10	220598-MM	32401-50
MM90X04	MM18-14500	229.0	161.0	14500	(6577)	14500	(6577)	6.70	(5.00)	7.00	(5.30)	9.90	8.80	-	-
MM95X04	MM18-17600	285.0	197.0	17600	(7983)	17600	(7983)	7.60	(6.50)	8.90	(7.40)	10.80	10.30	-	-
MM97X04	MM18-19700	290.0	214.0	19700	(8936)	19700	(8936)	8.00	(6.60)	9.20	(7.60)	12.20	11.70	-	-
MM100X04	MM18-25300	394.0	275.0	25300	(11476)	25300	(11476)	11.70	(9.70)	12.30	(10.20)	17.20	15.00	-	-

3 PHASE 6 POLES 1000/1200 RPM

DIMENSIONS (inch)

PART NUMBER	MODEL	Fig.*	A			B			C			Bolt Pattern		Bolt Size		Weight			
			in. (mm)		in. (mm)		in. (mm)		in. (mm)		in. (mm)		No.	380V 50Hz		460V 60Hz			
			in.	(mm)	in.	(mm)	in.	(mm)	in.	(mm)	in.	(mm)		lbs	(kg)	lbs	(kg)		
MM30X06	MM12-760	A	15.70	(398.9)	8.43	(214)	9.41	(239)	4.72	(120)	6.69	(170)	0.67	(17)	4	74	(34)	71	(32)
MM35X06	MM12-1630	A	17.91	(454.9)	8.43	(214)	9.41	(239)	4.72	(120)	6.69	(170)	0.67	(17)	4	96	(44)	88	(40)
MM36X06	MM12-2300	A	17.91	(454.9)	8.43	(214)	9.41	(239)	4.72	(120)	6.69	(170)	0.67	(17)	4	97	(44)	97	(44)
MM40X06	MM12-1990	A	19.65	(499)	9.84	(250)	10.22	(259.5)	5.51	(140)	7.48	(190)	0.67	(17)	4	136	(62)	98	(45)
MM50X06	MM12-2530	A	19.65	(499)	9.84	(250)	10.22	(259.5)	5.51	(140)	7.48	(190)	0.67	(17)	4	145	(66)	135	(61)
MM51X06	MM12-3100	A	19.65	(499)	9.84	(250)	10.22	(259.5)	5.51	(140)	7.48	(190)	0.67	(17)	4	147	(67)	145	(66)
MM61X06	MM12-4700	A	23.31	(592)	10.63	(270)	12.2	(310)	6.10	(155)	8.86	(225)	0.87	(22)	4	-	-	250	(114)
MM70X06	MM12-6200	A	24.72	(628)	12.4	(315)	13.5	(343)	6.10	(155)	10.04	(255)	0.93	(23.5)	4	-	-	323	(147)
MM75X06	MM12-8400	A	26.14	(664)	12.4	(315)	13.5	(343)	6.10	(155)	10.04	(255)	0.93	(23.5)	4	-	-	335	(152)
MM90X06	MM12-11700	A	35.28	(896)	15.35	(390)	15.24	(387)	7.87	(200)	12.6	(320)	1.1	(28)	4	583	(265)	531	(241)
MM91X06	MM12-14400	A	35.28	(896)	15.35	(390)	15.24	(387)	7.87	(200)	12.6	(320)	1.1	(28)	4	626	(284)	564	(256)
MM95X06	MM12-17600	A	35.28	(896)	15.35	(390)	15.24	(387)	7.87	(200)	12.6	(320)	1.1	(28)	4	729	(331)	649	(294)
MM97X06-LF	MM12-15800	B	33.82	(859)	18.11	(460)	18.7	(475)	4.92	(125)	14.96	(380)	1.54	(39)	6	-	-	998	(453)
MM97X06	MM12-20100	B	33.82	(859)	18.11	(460)	18.7	(475)	4.92	(125)	14.96	(380)	1.54	(39)	6	1102	(500)	1019	(462)
MM100X06	MM12-26500	B	37.76	(959)	20.94	(532)	18.7	(475)	5.51	(140)	17.32	(440)	1.77	(45)	6	1177	(534)	1086	(493)
MM105X06	MM12-31000	C	39.92	(1014)	22.44	(570)	21.1	(536)	5.51	(140)	18.9	(480)	1.77	(45)	8	1645	(746)	1532	(695)
MM106X06	MM12-37000	C	39.92	(1014)	22.44	(570)	21.1	(536)	5.51	(140)	18.9	(480)	1.77	(45)	8	1748	(793)	1632	(740)

*Dimensional schematic on last page.

PERFORMANCE DATA

PART NUMBER	MODEL	Unbalance in-lbs		Centrifugal Force				Power Output				Amps		MOUNT PLATE	C-CHANNEL MOUNT KIT
		in-lbs		380V 50Hz		460V 60Hz		380V 50Hz		460V 60Hz		380V 50Hz	460V 60Hz		
		50Hz	60Hz	lbs	(kg)	lbs	(kg)	hp	(kW in)	hp	(kW in)				
MM30X06	MM12-760	26.7	15.6	760	(345)	760	(345)	0.50	(0.45)	0.50	(0.45)	1.60	1.30	220583-MM	32401-30
MM35X06	MM12-1630	57.4	39.8	1630	(739)	1630	(739)	0.50	(0.45)	0.50	(0.45)	1.60	1.30	220583-MM	32401-30
MM36X06	MM12-2300	55.8	56.2	1584	(718)	2300	(1043)	0.50	(0.45)	0.50	(0.45)	1.60	1.30	220583-MM	32401-30
MM40X06	MM12-1990	70.0	48.6	1990	(903)	1990	(903)	1.00	(0.90)	1.00	(0.90)	2.10	1.70	220598-MM	32401-50
MM50X06	MM12-2530	79.2	61.8	2250	(1021)	2530	(1148)	1.00	(0.90)	1.00	(0.90)	2.10	1.70	220598-MM	32401-50
MM51X06	MM12-3100	86.2	75.8	2450	(1111)	3100	(1406)	1.00	(0.90)	1.00	(0.90)	2.10	1.70	220598-MM	32401-50
MM61X06	MM12-4700	-	114.9	-	-	4700	(2132)	1.61	(1.45)	1.61	(1.45)	-	3.20	-	-
MM70X06	MM12-6200	-	151.5	-	-	6200	(2812)	-	-	2.50	(2.25)	-	4.60	-	-
MM75X06	MM12-8400	-	206.0	-	-	8430	(3824)	-	-	2.50	(2.25)	-	4.60	-	-
MM90X06	MM12-11700	407.0	288.0	11700	(5307)	11700	(5307)	4.30	(3.80)	4.70	(4.20)	7.70	7.30	-	-
MM91X06	MM12-14400	512.0	356.0	14400	(6532)	14400	(6532)	4.30	(3.80)	4.70	(4.20)	7.70	7.30	-	-
MM95X06	MM12-17600	629.0	438.0	17600	(7983)	17600	(7983)	7.50	(6.40)	8.50	(7.30)	13.0	12.7	-	-
MM97X06-LF	MM12-15800	-	386.2	-	-	15800	(7167)	-	-	9.00	(7.50)	-	12.4	-	-
MM97X06	MM12-20100	707.4	491.3	20100	(9117)	20100	(9117)	8.80	(7.10)	9.00	(7.50)	13.7	12.4	-	-
MM100X06	MM12-26500	932.7	647.7	26500	(12020)	26500	(12020)	10.0	(8.40)	11.0	(9.20)	15.9	14.9	-	-
MM105X06	MM12-31000	1091.1	757.7	31000	(14061)	31000	(14061)	12.1	(10.1)	13.5	(11.3)	19.3	18.1	-	-
MM106X06	MM12-37000	1302.3	904.3	37000	(16783)	37000	(16783)	14.8	(12.4)	15.4	(12.9)	23.3	20.9	-	-

3 PHASE 8 POLES 750/900 RPM

DIMENSIONS (inch)

PART NUMBER	MODEL	Fig.	A		B		C		Bolt Pattern		Foot Holes		Weight							
			in. (mm)		in. (mm)		in. (mm)		D		E		F		No.		380V 50Hz		460V 60Hz	
			in.	(mm)	in.	(mm)	in.	(mm)	in.	(mm)	in.	(mm)	in.	(mm)	No.	lbs	(kg)	lbs	(kg)	
MM30X08	MM9-590	A	15.70	(398.9)	8.43	(214)	9.41	(239)	4.72	(120)	6.69	(170)	0.67	(17)	4	86	(39)	83	(38)	
MM35X08	MM9-910	A	17.91	(454.9)	8.43	(214)	9.41	(239)	4.72	(120)	6.69	(170)	0.67	(17)	4	98	(45)	91	(41)	
MM40X08	MM9-1440	A	19.65	(499)	9.84	(250)	10.22	(259.5)	5.51	(140)	7.48	(190)	0.67	(17)	4	143	(65)	134	(61)	
MM50X08	MM9-2020	A	19.65	(499)	9.84	(250)	10.22	(259.5)	5.51	(140)	7.48	(190)	0.67	(17)	4	146	(66)	146	(66)	
MM90X08	MM9-9310	A	35.28	(896)	15.35	(390)	15.24	(387)	7.87	(200)	12.60	(320)	1.10	(28)	4	614	(279)	614	(279)	
MM91X08	MM9-11700	A	35.28	(896)	15.35	(390)	15.24	(387)	7.87	(200)	12.60	(320)	1.10	(28)	4	656	(298)	656	(298)	
MM95X08	MM9-14400	A	35.28	(896)	15.35	(390)	15.24	(387)	7.87	(200)	12.60	(320)	1.10	(28)	4	680	(309)	680	(309)	
MM96X08	MM9-15500	A	35.28	(896)	15.35	(390)	15.24	(387)	7.87	(200)	12.60	(320)	1.10	(28)	4	-	-	695	(316)	
MM97X08-LF	MM9-15300	B	37.76	(959)	18.11	(460)	18.70	(475)	4.92	(125)	14.96	(380)	1.54	(39)	6	-	-	1179	(535)	
MM97X08	MM9-21900	B	37.76	(959)	18.11	(460)	18.70	(475)	4.92	(125)	14.96	(380)	1.54	(39)	6	1216	(552)	1179	(535)	
MM100X08	MM9-24800	B	37.76	(959)	20.94	(532)	18.70	(475)	5.51	(140)	17.32	(440)	1.77	(45)	6	1258	(571)	1224	(555)	
MM105X08	MM9-31000	C	44.65	(1134)	22.44	(570)	21.10	(536)	5.51	(140)	18.90	(480)	1.77	(45)	8	1843	(836)	1784	(809)	
MM106X08	MM9-38000	C	44.65	(1134)	22.44	(570)	21.10	(536)	5.51	(140)	18.90	(480)	1.77	(45)	8	1949	(884)	1887	(856)	

*Dimensional schematic on last page.

PERFORMANCE DATA

PART NUMBER	MODEL	Unbalance in-lbs		Centrifugal Force				Power Output		Amps		MOUNT PLATE	C-CHANNEL MOUNT KIT		
		50Hz	60Hz	380V 50Hz		460V 60Hz		380V 50Hz		460V 60Hz					
				lbs	(kg)	lbs	(kg)	hp	(kW in)	hp	(kW in)			380V 50Hz	460V 60Hz
MM30X08	MM9-590	26.0	26.0	485	(220)	590	(268)	0.50	(0.45)	0.50	(0.45)	2.00	1.60	220583-MM	32401-30
MM35X08	MM9-910	62.0	41.0	910	(413)	910	(413)	0.50	(0.45)	0.50	(0.45)	2.00	1.60	220583-MM	32401-30
MM40X08	MM9-1440	81.0	64.0	1250	(567)	1440	(653)	0.75	(0.65)	0.75	(0.65)	2.30	1.90	220598-MM	32401-50
MM50X08	MM9-2020	88.0	88.0	1400	(635)	2020	(916)	0.75	(0.65)	0.75	(0.65)	2.30	1.90	220598-MM	32401-50
MM90X08	MM9-9310	407.0	407.0	6450	(2926)	9310	(4223)	3.97	(3.60)	4.27	(4.00)	8.30	8.00	-	-
MM91X08	MM9-11700	512.0	512.0	8100	(3674)	11700	(5307)	3.97	(3.60)	4.27	(4.00)	8.30	8.00	-	-
MM95X08	MM9-14400	629.0	629.0	10000	(4536)	14400	(6532)	4.93	(4.50)	5.83	(5.30)	10.5	10.5	-	-
MM96X08	MM9-15500	-	710.0	-	-	15500	(7031)	-	-	5.83	(5.30)	-	10.5	-	-
MM97X08-LF	MM9-15300	-	700.0	-	-	15300	(6940)	-	-	8.70	(7.40)	-	13.5	-	-
MM97X08	MM9-21900	1134.0	999.0	21900	(9934)	21900	(9934)	7.70	(6.60)	8.70	(7.40)	15.5	13.5	-	-
MM100X08	MM9-24800	1234.0	1117.0	24800	(11249)	24800	(11249)	7.70	(6.60)	8.70	(7.40)	15.5	13.5	-	-
MM105X08	MM9-31000	1595.0	1357.0	31000	(14061)	31000	(14061)	10.20	(8.70)	10.90	(9.30)	19.5	17.6	-	-
MM106X08	MM9-38000	1875.0	1688.0	38000	(17237)	38000	(17237)	12.00	(10.30)	12.70	(10.90)	21.9	19.9	-	-

FIGURE A

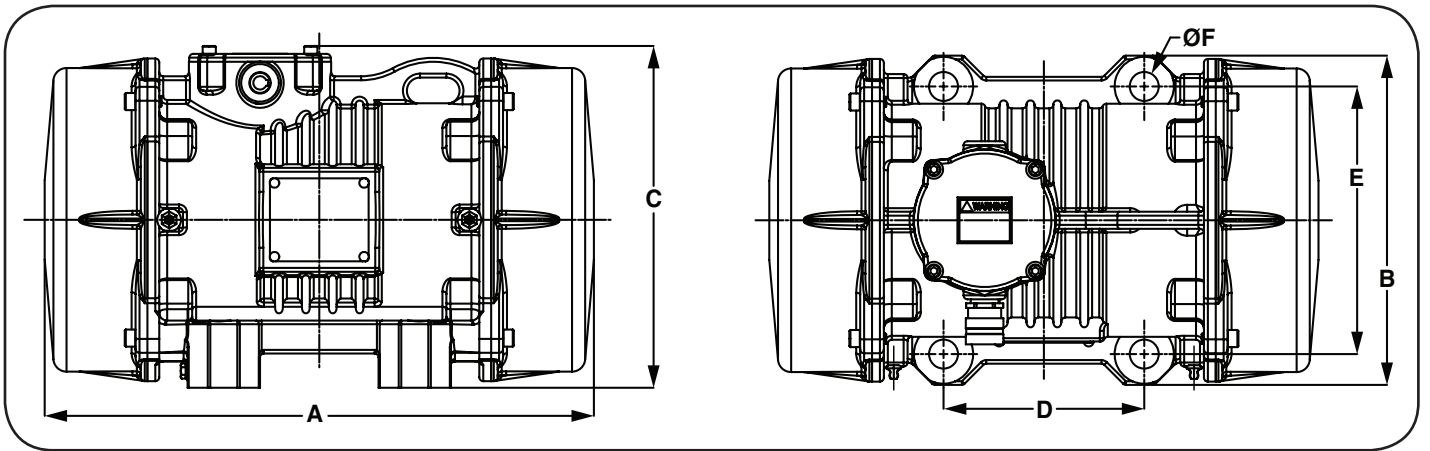


FIGURE B

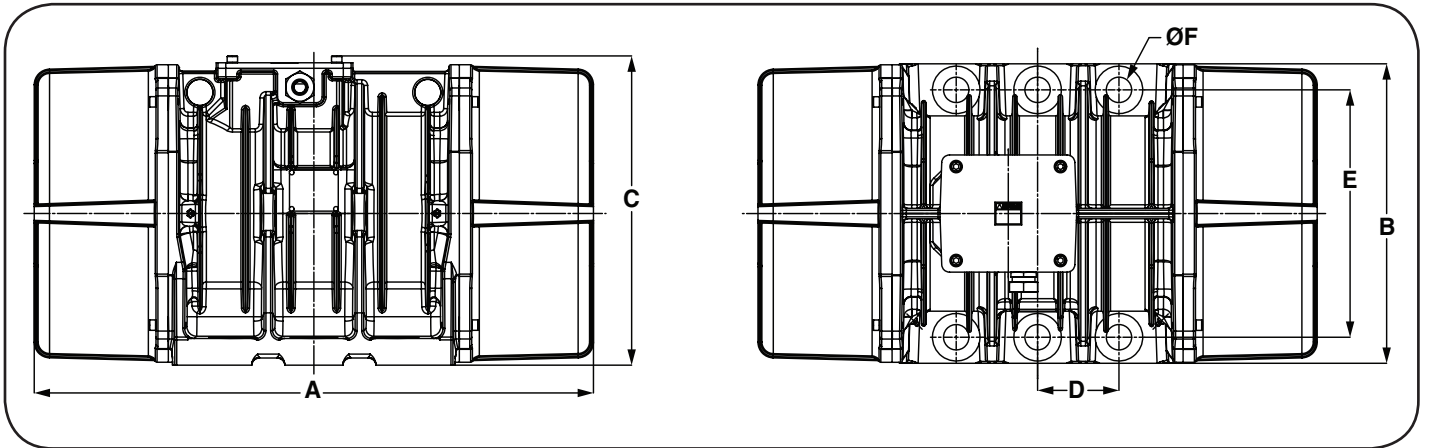
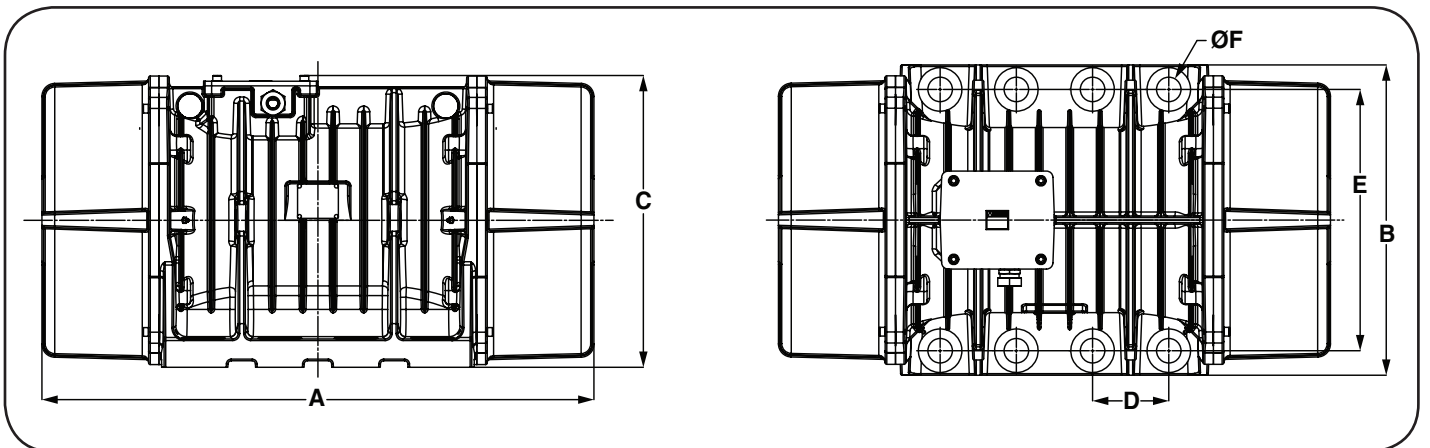


FIGURE C



Martin Engineering USA
 One Martin Place
 Neponset, IL 61345-9766 USA
 800 544 2947 or 309 852 2384
 Fax 800 814 1553
www.martin-eng.com

**COMPANY WITH
 QUALITY SYSTEM
 CERTIFIED BY DNV GL
 = ISO 9001 =**